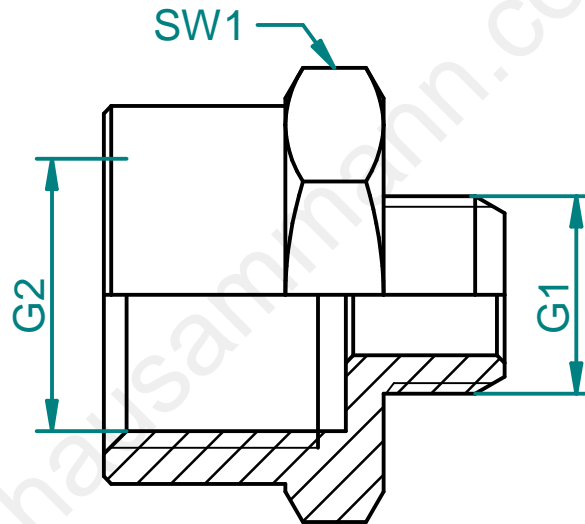


General tolerances ISO 2768-m						Index	Date	Visum	Modification	Index	Date	Visum	Modification
Basic-size	...6	> 6 ...30	> 30 ...120	> 120 ...400	> 400 ...1000								
medium	±0.1	±0.2	±0.3	±0.5	±0.8								



Specifications points D,K,H	
D= doc.points	
K= critical	
H= main	

Accord-draw.no.: Origin-draw.no.: Replacement for:	Material:			
	Messing vernickelt			
	Scale			
	38.616			
<b>HAUSAMMANN</b> KOMponenten PRODUKTION SYSTEME		Date 15.04.11	Visum E.Z	Phone
plotted checked		<b>Solid Edge</b>		Format <b>A4</b>
		Index <b>00</b>		
© 2010, Für dieses Dokument behalten wir uns alle Rechte vor.		© 2 010, Nous nous reservons tous les droits sur ce document		© 2 010, We reserve all rights in connection with this document